

# FISHER *M-SCOPE*

## COIN STRIKE

Target I.D. Metal Detector

# NEW!

# COIN\$TRIKE



## Operating Manual

FISHER RESEARCH LABORATORY

# CONTENTS

---

About Your Detector .....	pg. 1
Setting Up .....	pg. 2
Body/Chest Mounting .....	pg. 5
Control Panel .....	pg. 6
Quick Start Guide .....	pg. 10
4 Tone Audio System .....	pg. 11
LCD Identification System .....	pg. 12
Precision Visual Pinpointing .....	pg. 13
Ground Balancing/Tracking .....	pg. 14
FisherTrak AFS® .....	pg. 15
Wet Sand Beach Hunting .....	pg. 16
Setting Memory Control .....	pg. 17
Additional Features .....	pg. 18
Searching .....	pg. 19
Battery Replacement .....	pg. 21
Target Recovery .....	pg. 22
Maintenance .....	pg. 23
Treasure Hunter's Code of Ethics .....	pg. 23
Specifications .....	pg. 24

# ABOUT YOUR DETECTOR

The I.D. detector of the future is here! The Fisher Coin Strike brings you a new level of performance and features that include fast automatic ground tracking, a precision auto ground balance system, four-tone ID system, programmability and our new D.P.A. (Digital Phase Analysis) technology.

Throughout this operations manual, we are going to explain to you the controls and LCD Display Panel of the new Coin Strike as well as give you a few tips to get you hunting. As with any new detector, we strongly encourage that you read the entire operations manual and call your local dealer with any questions.

The Coin Strike control panel and LCD display is designed to give you constant control read out. In addition, the Coin Strike provides a 4-tone audio system to give you more target information.

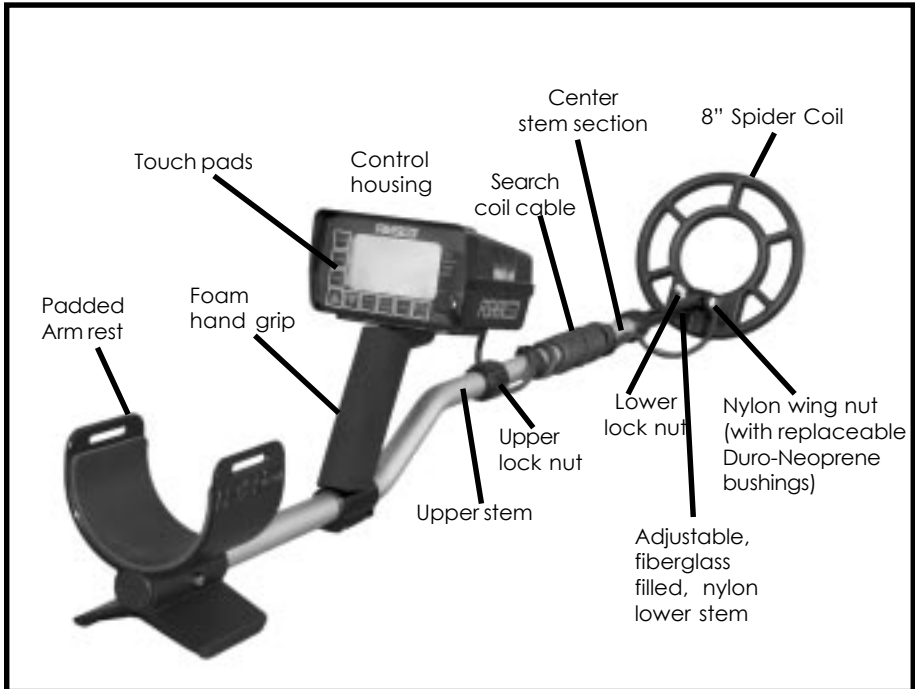
The rest is up to you. You've got the right detector, but you'll have to decide where to search and then put in a lot of long, hard hours searching. And, of course, you're going to have to learn your Coin Strike, read this instruction manual carefully and practice often. Drop us a line if you have any questions, comments or exciting hunting stories. In the meantime . . .

Happy Hunting!  
Fisher Research Laboratory

# SETTING UP

Your Fisher Coin Strike is built to last for years. However, it's a sophisticated electronic instrument containing state-of-the-art components. Handle it carefully, care for it regularly, and it will give you years of dependable service. The Coin Strike requires little assembly.

1. Unpack your Coin Strike carefully and save the carton: it may come in handy if you ever have to return the instrument for service.
2. Slip the lower stem into the middle stem.
3. Adjust the stem length and coil angle so that the search coil rests flat on the ground about 6 to 12 inches in front of and slightly to the right of your right foot (to the left of your left foot for left handers). Your arm should be straight and relaxed, the grip held loosely (see drawing on next page). The stem length is adjusted by loosening the lower lock nut and allowing the spring clip to snap into one of the



holes in the center stem. The coil angle is adjusted by loosening the nylon wing nut on top of the search coil.

**NOTE:** Remember, the longer the shaft, the more you'll have to bend your elbow to keep the coil off the ground and the sooner your arm will get tired. The Coin Strike is balanced for comfortable searching in a tight semicircle around the front of the operator.

**4.** With the stem length properly adjusted, wrap the search coil cable snugly around the lower stem and the center section. Leave just enough slack near the coil to allow it to be tilted completely backward and forward.

**NOTE:** A loose cable near the search coil may cause false signals, but don't wrap it so tightly that it pulls against the housing or the coil.



Adjust the stem length and coil angle so the coil rests flat on the ground about 6 to 12 inches in front of your foot. Move into your "search" position by leaning slightly and raising the coil about 2 inches off the ground. This should put the coil about 12 to 18 inches in front of your lead foot.

- 5.** Reconnect the coil cable to the control housing. Be careful not to cross thread it and make sure it's snug, but hand tightened only.
- 6.** With the shaft length and coil angle properly adjusted, you should be able to move into your search position by leaning forward very slightly and raising the angle so the coil rests flat on the ground about 6 to 12 inches in front of your arm.
- 7.** (When using optional headphones) Plug into the headphones jack on the control panel.

# BODY/CHEST MOUNT

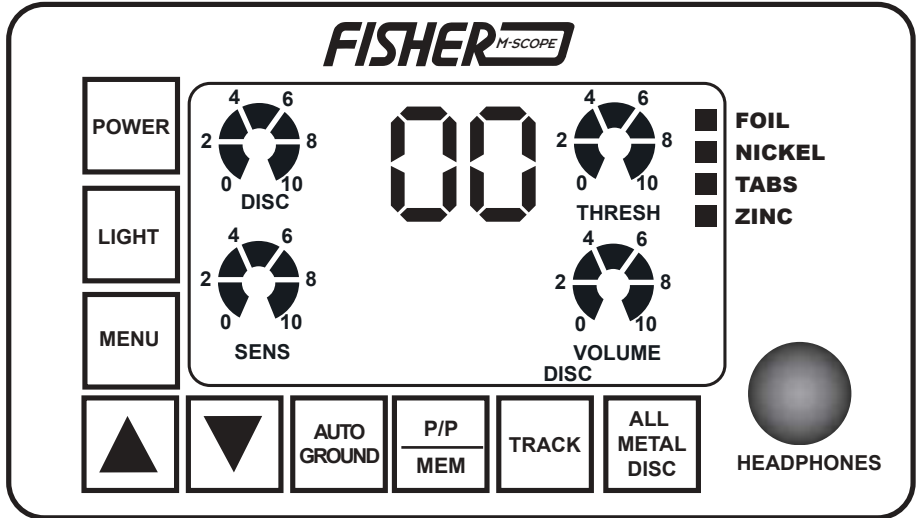
1. Disconnect the cable from the control housing and unwind all but the last 12 inches or so from the stem. Secure the lower end of the cable with a Velcro strap at least 12 inches up from the coil.
2. Remove the control housing from the pistol grip by holding the grip with one hand and sliding the housing toward you with the other hand.
3. Attach the belt clip to the control housing by slipping it over the brass posts on the bottom of the control housing and pulling it toward the control panel to lock it in place.
4. Reconnect the cable to the control housing.
5. The control housing can then be mounted on your belt or on the optional Fisher Chest Harness.

*It is especially important that the cable connector be installed tightly to prevent false signals during body-mount use. Tight, but never tightened with anything but your hands.*



# CONTROL PANEL

The Coin Strike control panel is an all new digital I/O System. The LCD Display provides you with a constant control readout showing you all of your current settings, much like the knobs of an older - style metal detector.



1. The POWER button turns the unit ON and OFF. One of the first things you will notice when you turn on your Coin Strike is the battery level display. Fresh batteries will show 9 volts; when the battery level is down to 6 volts, you have about an hour of battery life left. The detector will not turn on if the search coil is not properly connected. This can prove to be a timesaving safeguard.

2. The LIGHT button enables you to use your back light for hunting in dim light situations.

3. The MENU button enables you to enter the "menu mode", in which you can adjust any of seven controls with the UP/DOWN arrow buttons: the iron discrimination level, the threshold level, the sensitivity level, a wet sand "salt" mode, the volume level, four independent disc. notches, and the saving or recall of 4 control setups (including a factory preset mode) with our memory feature. Notice that when the MENU button is pushed, the active control blinks — this is the control that can be adjusted with the UP or DOWN arrow buttons. To move to the next control, just press the MENU button again. When you have all your settings completed, press the P/P (MEM) button to return to the search mode.

- a. When in the MENU mode, the Iron DISC control can be varied from 0 to 99 with the UP and DOWN arrow buttons. A 0 discrimination setting will allow all metals to activate the tone; a 99 discrimination setting fully discriminates out most iron targets, allowing only nonferrous objects to activate the tone I.D. in Disc mode. When hunting, you will choose an optimal discrimination setting between 0 and 99 that allows you to ignore most of the iron trash in your hunting area, without giving up any good targets. Also notice that the constant control readout shows you approximate settings at all times with a graphical icon, whether you are in the MENU mode or the search mode.
- b. The THRESHOLD control is best understood as setting a “trigger” point for received signals to exceed (and be acknowledged) or fall short of (and be ignored). This control can be adjusted with the arrow buttons between -99 (higher trigger = less excitable) and +4 (low trigger = more excitable). There are a couple of considerations in choosing a threshold setting: 1) If you prefer to have an audio threshold tone present while hunting, choose a setting between 0 and +4. This will allow your Coin Strike to react to the tiniest targets in a low mineralization environment. 2) However, if you plan to utilize the fast automatic ground tracking feature of the Coin Strike, set the threshold to a -5 or -10 setting for stable tracking performance (and even lower in harshly mineralized soils).
- c. The SENSITIVITY control can be varied from a setting of 0 to a maximum of 10 with the arrow buttons when the SENS icon is flashing. As with most detectors, set the sensitivity higher for best depth performance in soils that are low in mineralization. As the mineralization gets worse, lower the sensitivity setting as needed. We recommend a sensitivity setting of 4 or lower for the most stable performance if the fast automatic ground tracking is enabled. Please note that a SENS setting of 0 or 1 will still yield excellent results.

- d. The SALT mode can be activated or turned off with the Auto Ground button. While in the MENU, when the two-digit display shows "SO", the SALT mode is off. Use this setting for all hunting conditions except wet sand (beaches) with salt content and NO black sand (magnetic soil). Press and release the Auto Ground button to toggle the SALT mode on (display will show "S1"). Press and release again to toggle it off. For more beach hunting tips, see the WET SAND HUNTING section.
- e. The VOLUME can be adjusted and listened to when the VOLUME icon is flashing by using the UP and DOWN arrow buttons.
- f. The NOTCH Discrimination ("no" on the two digit display in the MENU) can be adjusted as follows:
  - 1. The UP/DOWN arrow buttons will allow you to choose which NOTCH category to alter.
  - 2. Once you have chosen which category to change (FOIL, NICKEL, TABS, or ZINC), pushing and releasing the ALL METAL/DISC button turns the NOTCH filter ON or OFF.
    - If the square next to the chosen category blinks quickly (on more than off) that target will be accepted.
    - If the square next to the chosen category blinks slowly (off more than on) that target will be rejected.
    - When in the SEARCH mode, if the square is ON, the target is accepted; if the square is OFF, the target is rejected.

*Remember, to exit the MENU mode at any time, simply press the P/P (MEM) button to return to the SEARCH mode*

4. The AUTO GROUND button enables you to achieve a precision ground balance with one touch. Auto Ground Balance is explained in more detail on page 15. This button also toggles the SALT mode on or off while in MENU.

5. The P/P (MEM) button is used return to the search mode after you set all your current settings when it is pushed and released. As mentioned above, it is also used in Memory mode. If the P/P button is pushed and held while hunting, the Precision Visual Pinpoint Mode will be activated.
6. The TRACK button activates the Fisher Track AFS® - Adaptive Feedback System. This fast auto-ground tracking system, enables you to adapt to changing ground conditions without giving up the ability to detect targets!
7. The ALL METAL/DISC button enables you to toggle between two operating modes: a "true" all metal detecting mode or, with an advanced discrimination system activated. When in the NOTCH discrimination MENU, the button is used to activate or turn off the FOIL, NICKEL, TABS and ZINC disc. notches. When in the search mode, this button can be pushed and held to activate or turn off the numeric I.D. averaging.

# QUICK START GUIDE

We strongly encourage you to thoroughly read and understand everything in this operation manual prior to using your new Fisher Coin Strike. This will enable you to obtain the optimum performance when you detect. However, we can provide a few quick suggestions that can help you get started. To begin hunting with your new Coin Strike, you will at least need to be familiar with the control panel (see page 6).

1. Turn ON the Coin Strike by pressing and releasing the POWER button.
2. Push and release the MENU button. Push this button repeatedly until the MEM icon flashes. Then, press the UP arrow button until the two-digit display shows "FP" (factory preset). Finally, push and release the P/P (MEM) button. This will set the Coin Strike as follows:

Iron Disc = 99

Threshold = 0

Sensitivity = 7

Salt Mode OFF

Volume = 10

Notch Disc: Eliminate Foil and Tabs

These factory present settings are a good start for COINS only hunting.

3. Lower the search coil to the ground in an area completely void of metal. Next, press the AUTO GROUND button and hold it for about 2 seconds. Then, while still holding the AUTO GROUND button down, lift the coil about 6 inches off the ground, hold for a second, and release the button. The Coin Strike will give you a brief tone to let you know the ground balance has been achieved.
4. Begin your search, using the method described on page 19.
5. If you prefer to hunt using our advanced FisherTrack system, or other advanced features (such as the salt mode), please refer to this operation manual.

# 4 TONE AUDIO SYSTEM

---

The four-tone audio system provides you with more information per sweep, acting as a target I.D. system in the “discrimination” mode. While sweeping the Coin Strike search coil over a target, you will hear one of four tones:

LOW TONE = Iron objects (ferrous)

LOW/MID TONE = Foil, Nickel, Round Tabs

MID/HIGH TONE = Square Tabs, Zinc Pennies

HIGH TONE = Copper, Clad, Silver Coins

If a bell tone audio is heard, accompanied by an “OL” on the LCD, the coil has encountered a larger or shallow target and the search coil must be lifted to avoid overload and inaccurate I.D.

When hunting in the ALL Metal mode, a single tone will be heard for any metal object the coil is swept over. This mode responds much like the “auto tune” mode of previous detectors.

# LCD IDENTIFICATION SYSTEM

The LCD will also show you an indication of the type of target you have found, in conjunction with the audio tones, by showing you a number preceded by a “-” or “+” sign. The target identification system works as follows:

When in either search mode (ALL METAL or DISC), a target will produce a number between 0 and 99 indicating target type.

In addition, the - or + sign in front of the number indicates whether the target is ferrous in nature (an iron target) / or nonferrous (a non-iron target).

The target I.D. numbers correspond to the following target types:

All negative (-) numbers:	Iron
+0 to +8:	Foil
+9 to +11:	Nickel
+17 to +18:	Square Tab
+20 to +22:	Zinc Pennies
+28 to +30:	Cooper pennies, dimes
+30 to +34:	Quarters
+34 to +51:	High conductive coins (silver)
+60 an up:	Various hot rocks

Remember, this Numeric I.D. system is activated in either the All-Metal or Disc. modes (although the 4-tone audio I.D. is only active in the Disc. mode).

Also, the iron discriminator and disc. notches can silence the audio for certain targets, but the two-digit I.D. will always reveal the target identity.

# Precision Visual Pinpointing

When the P/P button is pushed and held, the non-motion pinpoint mode is activated. This pinpoint mode may be familiar in some ways (when the target is approached, the audio intensity increases), but different in others (the digital numeric indicator). The two digit (0-99) LCD will help you to accurately pinpoint your target by increasing in value as the center of the target is approached. This gives you much more resolution in pinpointing than a "depth estimation" system, and allows you to characterize size, shape, and location of your target better.

# **GROUND BALANCING/TRACKING**

The Coin Strike offers three options for handling the soil mineralization you may encounter. Our new auto-ground balance system and our FisherTrak ground tracking system are made possible by our AFS® (Adaptive Feedback System) technology.

## **AUTO GROUND BALANCE:**

The precision automatic ground balance system will provide ground balance accuracy that exceeds any setting achieved manually. The procedure is quite simple: After you have set up your controls and are back in the search mode, lower the search coil to the ground in an area completely void of metal. Next, press the AUTO GROUND button and hold it for about 2 seconds. Then, while still holding the AUTO GROUND button down, lift the coil about 6 inches off the ground, hold for a second, and release the button. The Coin Strike will give you a brief tone to let you know the ground balance has been achieved. This procedure can be repeated at any time, as you change your settings or ground conditions change. It is fast and accurate.

## **“FisherTRAK®” FAST AUTO-GROUND TRACKING:**

To take advantage of the fast auto-ground tracking system of the Coin Strike, start by using the automatic ground balance procedure just described. Then, simply press the TRACK button on the panel to allow the Coin Strike to automatically adjust to changing ground conditions. Notice that the “TRACK” icon will be active on the display when the tracking system is ON. The Coin Strike system provides a superior tracking system that will “track” only on mineralized soils and hot rocks — not on actual targets themselves.

Also, note that the unit can be auto-ground balanced at any time while in the tracking mode for faster, easier hunting. This can be done by lowering the coil to the ground, pausing for about 2 seconds, then lifting the search coil about 6 inches and waiting for the tone to signal completion of the automatic balancing.

It is very helpful to set the controls of your Coin Strike for the most stable tracking performance. If you are hunting in mineralized soil, we suggest setting the Threshold control to -5, -10, or even lower. We also suggest setting the Sensitivity control to 5, 4, or lower. If you experience unstable tracking performance, please adjust these controls accordingly. And remember that the Coin Strike still has excellent performance with these lower settings — you will recover good targets with smooth, trouble-free operation — use this to your advantage!

# WET SAND (BEACH) HUNTING

The Coin Strike allows beach hunters 2 choices for detecting in wet sand.

1. If hunting in nonmagnetic wet sand (salt water beach with no black sand), use the SALT mode feature described on page 8. Be sure to activate the SALT mode (S1) before you select the THRESHOLD and SENSITIVITY settings, and before you auto-ground balance the detector.
2. If hunting on wet black sand beaches, better results are obtained by turning OFF the SALT mode (S0). In these conditions, adjust the SENS to 3 or lower, and the THRESH to -10 or lower. Then, auto-ground balance the detector and turn ON the auto ground tracking system (Fisher Trak). The tracking system should allow you to enter and exit the wet, salt sand without false signals if the SENS and THRESH are set up properly.

# SETTING MEMORY CONTROL

Your new Coin Strike provides you with 3 memory locations to store your favorite control settings. These memory locations will store the Iron DISC level, THRESHOLD level, SENSITIVITY level, and NOTCH disc. Please note that the SALT Mode and VOLUME level will not be stored.

At this point, we would also like to remind you that your Coin Strike has a last-setting memory feature. This means that the unit will maintain the control settings when it is turned OFF, saving the same settings for you when you turn your Coin Strike back ON (except for the salt mode; this will always default to salt mode off).

By pressing the MENU button to enter the MENU mode and then pressing it again until the "MEM" icon begins flashing, you will be ready to store or recall your settings. Memory address "0" always contains your current control settings, and is not a location to store settings for later recall.

## **STORING SETTINGS:**

1. Set the controls (DISC, THRESH, SENS, and NOTCH) by using the MENU button to select the control, and the UP and DOWN arrow buttons to set to the desired levels.
2. Once the controls are set, press the MENU button until the "MEM" icon blinks.
3. Use the UP or DOWN arrow buttons to select the MEM 1, MEM 2, or MEM 3 storage location.
4. Then, press and hold the P/P MEM button for about 3 seconds. When the settings are stored, an audio tone will sound and the "MEM" icon will blink twice. Release the P/P MEM button and you are in the search mode and ready to hunt. In addition, the settings are stored in the MEM location you chose (1, 2, or 3).

## **RECALLING SETTINGS:**

1. To recall a stored setting, press the MENU button to enter the MENU mode, and then press it repeatedly until the MEM icon is selected.
2. Using the UP or DOWN arrow buttons, select the MEM location you want to recall.

Then, press the P/P MEM button for only 1 second and release it. A brief audio tone will sound and the detector will enter the search mode in the settings you recalled.

Selecting the factory preset (FP) memory setting is described on page 10.

# ADDITIONAL FEATURES

**AUTOMATIC LOW BATTERY WARNING:** The Coin Strike will let you know when a low battery condition will begin to effect performance — the batteries must be changed at this time. When the batteries get too weak, the LCD will show a “LOW BATTERY” warning on the display. In addition, the audio system will produce a wavering tone to alert you to the low battery condition.

**AUTOMATIC SIGNAL OVERLOAD WARNING:** The Coin Strike will alert you to the presence of a large metal object in close proximity to the search coil by sounding off an audio bell tone. This lets you know that the object is too close to the coil for the 4-tone audio or LCD systems to accurately identify the object.

**“F.A.C.T.®”:** Fisher's new adaptive coil technology allows the detector electronics to recognize whether the search coil is properly installed on the detector. The Coin Strike will not turn ON without the search coil connector properly installed to the control housing.

**CONSTANT CONTROL READOUT:** Unlike many digital detectors, the Coin Strike LCD shows you the control settings at all times while in the search mode. The control icons are similar to the knobs of older detectors, constantly showing where the settings are at one easy glance. In addition, even more accurate information regarding the control settings can be obtained by entering the MENU mode and observing the two-digit number accompanying each control, showing improved resolution of each control.

**LCD BACKLIGHT:** The press of a button activates a very efficient display backlight for use in dark situations.

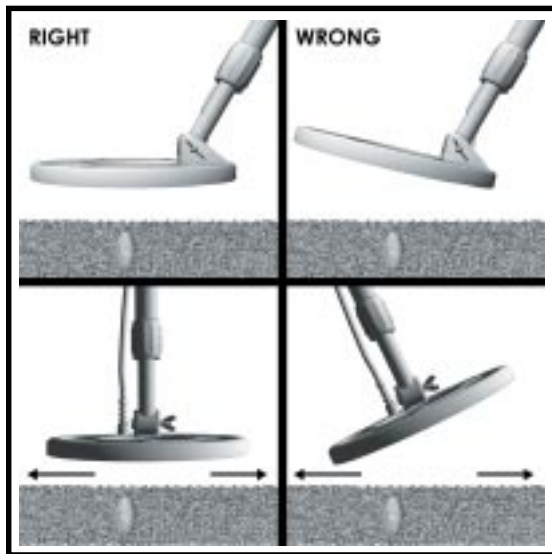
**Numeric I.D. Averaging Function:** This is activated (A1) or deactivated (A) when the ALL/METAL/DISC button is pushed and held. When ON, the numeric I.D. will be based on cumulative average from sweep to sweep. When OFF, the numeric I.D. will be based on immediate sweep results.

# SEARCHING

Good search techniques are every bit as important as having a good detector.

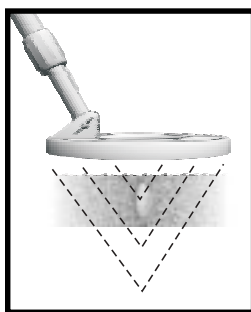
1. Once your controls are properly set, press and release the P/P touch pad, and move into your search position. Begin your search by walking slowly and sweeping the search coil in a tight semicircle.
2. Keep the coil parallel to the ground and as close to the ground as practical. This is extremely important for maximum coverage and depth. If you're searching on a lawn, you may set the coil right on the grass and lightly "scrub it."

Keep the search coil as close to the ground as possible for greater penetration, and make sure the search coil remains parallel to the ground as you search.

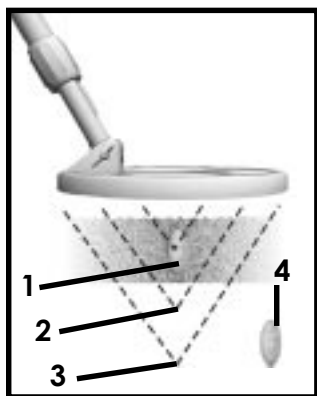


3. Overlap your sweeps by at least 50 percent. Remember that your coil's search pattern is conical and if you don't overlap each sweep you'll miss the deeper targets.
4. Search in a methodical manner. Pay close attention to where you're going and where you've been so that you don't retrace your steps or miss any productive areas.

5. Keep the search coil moving at a comfortable rate.
6. Take your time. If you walk too fast you can overlap your sweeps and you'll miss a lot of ground. If you swing your coil too fast, you could lose some sensitivity to deep and/or small targets.
7. The illustration below shows the Coin Strike search coil pattern and how it is effected by s weep speed, ground mineralization and search mode.



The conical search pattern of the Coin Strike search coil means you'll get better ground penetration and coverage by overlapping your sweeps.



Effects of sweep speed, ground mineralization and search mode

1. **Minimum depth**
  - a. Very slow or very fast sweep speed
  - b. Highly mineralized soil.
2. **Good depth**
  - a. Moderate sweep speed
  - b. Moderately mineralized soil
3. **Maximum depth**
  - a. Moderate sweep speed
  - b. Non-mineralized soil
4. **Missed target**

Many targets well within the range of you Coin Strike will not be detected unless you overlap your sweeps.

Unlike other metal detectors, the discrimination settings have little if any effect on the depth capability of the Coin Strike. Depth is also determined by the size, shape and conductivity of the target as well as the sensitivity setting of the Coin Strike.

# BATTERY REPLACEMENT

Two 9-volt transistor batteries are located in separate compartments on the underside of the control housing. When you first turn on your detector you will see your battery level. It flashes for 3 seconds. A reading of 9V means you have maximum battery life. A reading of 6V indicates that you have approximately 1 1/2 to 1 hour left of battery life.

## CHANGING YOUR BATTERIES:

1. Remove the control housing from the handle grip by holding the grip in one hand and sliding the control housing toward you.
2. Remove the battery doors by gently lifting the two tabs at the end of the control housing.
3. Remove the batteries by pulling on the nylon straps attached to the bottom of the battery compartments.
4. Install fresh alkaline batteries and reinstall the battery covers. Make sure the batteries are positioned properly as indicated by the "+" polarity markings inside the battery compartments.



*If either or both of the batteries are installed incorrectly, the Coin Strike will simply not turn on. The detector will not be damaged.*

*Remember your search coil must be connected to the control housing for power to be turned on.*

# TARGET RECOVERY

---

Once you have identified and pinpointed your target, your objective is to recover it quickly and neatly, leaving virtually no trace of your excavation. There are almost as many ways to do this as there are Treasure Hunters. Whatever works for you is good enough as long as you don't break any laws, damage vegetation, or leave uncovered holes.

Whichever method you choose, remember that responsible treasure hunters take pride in their ability to leave soil and vegetation intact and undamaged.

## Recovery Tools

**1.** A heavy-duty, blunt screwdriver is commonly used by expert Treasure Hunters and is the tool of choice for cut lawns.

**2.** A sturdy hunting knife with a 5-inch blade will do the job on most other soils. A high-quality double edge "survival" knife is an even better (and more expensive) choice because it will be almost impossible to bend or break.

**CAUTION:** *Using a knife without a locking blade is a good way to lose a finger!*

**3.** A narrow garden trowel will work in loose or wet soil.

**4.** Several excellent digging tools are made just for the Treasure Hunter, and specially designed sand scoops are available for beachcombing.

**5.** A thin, dull probe is the preferred tool for precise target location.

# MAINTENANCE

Your Coin Strike doesn't require a lot of care. It's built with high-quality materials and it's splashproof and dustproof. But there are a few things you should do to keep it in peak operating condition.

1. If you're not going to be using it for a while, take the batteries out. Acid damage caused by leaking batteries can be severe.
2. Avoid extreme temperatures. Don't leave it inside a closed car that's sitting in the sun. Or even worse, the trunk of a car.
3. If you "scrub" the search coil on the ground, you'll eventually wear through the bottom of the coil. Replacement coils are expensive. Instead, invest in a coil cover; they're cheap.
4. Keep your Coin Strike dry and clean. If you've been working in or a round dust, wipe it down with a damp cloth and dry it with a hair dryer (low or no heat) or a dry cloth. Remove and clean the lower stem. Keep the lock nuts free of sand and dirt.

## TREASURE HUNTER'S CODE OF ETHICS

### LET'S PRESERVE OUR TREASURED SPORT!

Laws governing the use of metal detectors are becoming more and more common. In many countries, the use of metal detectors is illegal or severely restricted. Don't let this happen in your area.

**ALWAYS** get permission to hunt on private property.

**ALWAYS** leave a site cleaner than you found it. Take at least some trash with you or, if you can, take it all.

**ALWAYS** fill in your holes neatly whether you're in a city park or remote wilderness. Leave the land as it was before you disturbed it.

**ALWAYS** obey all laws relating to Treasure Hunting.

**ALWAYS** return valuable property if you can locate the original owner.

**ALWAYS** do whatever you can to give the hobby of Treasure Hunting the good image it needs and deserves.

# SPECIFICATIONS

## LENGTH

Extended .....52"<sup>3</sup> Collapsed .....41"<sup>3</sup>

## WEIGHT

Complete..... 3.5 lbs. Handle and Coil .....2.4 lbs.

Control Housing .....1.1 lbs.

## FREQUENCY

Operating. ....Proprietary<sup>2</sup>

Target Response:

Low tone = iron.

Low/Mid tone = foil, nickel, round tabs.

Mid/High tone = square tabs, zinc.

High tone = copper, clad, silver coins

## INPUTS/OUTPUTS

Controls ..... Keypad with tactile response

Memory Function ..... Yes

Display ..... Large, LCD with constant control read-out<sup>4</sup>

LCD Backlight ..... Yes

Built-in Speaker ..... Yes

Stereo Headphone Jack ..... Yes

## GROUND ADJUST

Automatic Ground Tracking ..... Yes

Automatic Ground Balance ..... Yes

Salt Mode (wet sand) ..... Yes

## SEARCH COIL

Type..... "Spider" Coil, Concentric, Co-Planar

Diameter ..... 8"

Shielding .....100% ESI<sup>5</sup>

Interchangeable .....Yes

Submersible.....Yes

## SEARCH MODES

True All-Metal Motion..... Single tone response with high-res numeric I.D.

Disc Motion..... 4-tone response with high-res numeric I.D.

Pinpoint (non-motion) ..... Precision visual numeric readout

## BATTERIES

Batteries Type .....(2) 9V

Low Battery Alert.....Automatic (LCD and audio)

Life - Alkaline.....20-25 hours<sup>3</sup>

## WARRANTY

Lifetime Limited Warranty\*

\*warranty may vary outside of the United States, see your dealer for details

## Notes

1. Subject to modification without notice.
2. Patent Pending.
3. Approximate.
4. LCD shows all settings (disc, threshold, sensitivity, notches, and volume) at all times.
5. Electro-Static-Insulated to eliminate certain types of false signals.





## QUALITY

Fisher detectors are renowned for their quality. Each instrument is hand crafted in the USA with pride

## PERFORMANCE

Our detectors are durable, dependable, and search deeper.

## REPUTATION

Fisher produced the first patented metal detector in 1931. For over 70 years, the Fisher logo has been a mark of excellence.

## LIFETIME WARRANTY

Fisher believes in the products we produce and backs this belief with a Limited Lifetime Warranty, Warranty may vary outside the United States. See your dealer for details

## SERVICE

Fisher is committed to providing you, our valued customer, with superior service. Each and every instrument is rigidly tested and carefully inspected during assembly and before shipment.

**Should you have any questions or problems, contact:**

## FISHER RESEARCH LABORATORY

200 West Willmott Road.,  
Los Banos, California 93635

Tel 209.826.3292 Fax 209.826.0416

[www.fisherlab.com](http://www.fisherlab.com) email: [info@fisherlab.com](mailto:info@fisherlab.com)

### EXPORT DEPARTMENT

282 State Street

North Haven, CT 06473 USA

Tel 203.288.1638 Fax 203.287.8099

email: [fisher@exportdept.com](mailto:fisher@exportdept.com)